



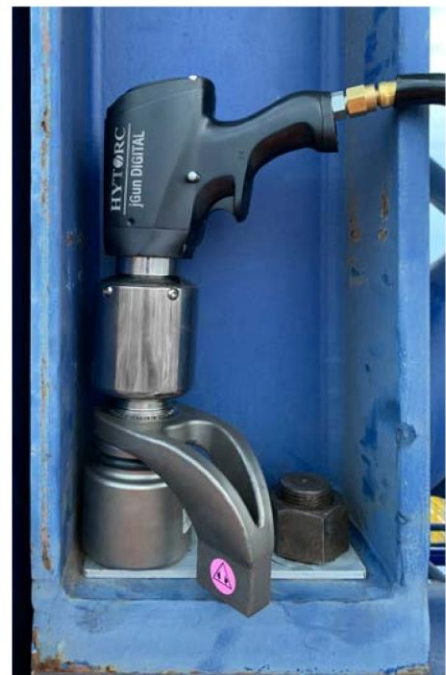
jGun® DIGITAL Single Speed Pneumatic Torque Tool DJ-6.5

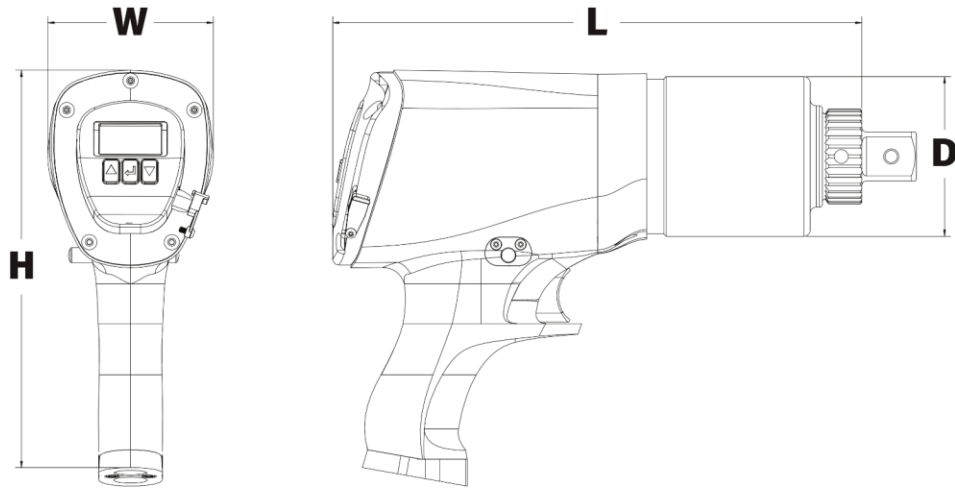
HYTORC's jGun DIGITAL Single Speed Pneumatic Torque Tool DJ-6.5 edition gearbox is designed to fit into tight spaces while providing the highest levels of torque needed. The addition of a whip hose with a locking air regulator increases the tool flexibility without the need for conventional Filter/Regulator/Lubrication (FRL) systems.

FEATURE LIST

- Capacity up to 6,500 ft-lbs
- Rugged planetary gearbox
- Aerospace aluminum housing
- Highest power-to-weight ratio
- Ergonomic handle design
- Locking air regulator
- Digital readout
- On-board processor
- Built-In Torque Adjustment
- USB charging port
- Accurate & Repeatable Torque $\pm 5\%$
- Directional switch with built-in safety
- Standard square drive with concentric spline
- Adjustable torque output with max power at 90 PSI
- Compatible with HYTORC Nut
- Compatible with HYTORC Washer

OPTIMIZED FOR TOWER CRANE OPERATIONS





LEGEND: H = HEIGHT W = WIDTH L = LENGTH D = OUTER DIAMETER OF GEARBOX

| MODEL NUMBER | H | W | L | D | SQUARE DRIVE | WEIGHT | TORQUE | | RPM |
|-----------------|------|------|-------|------|--------------|--------|--------------|--------------|-----|
| | | | | | | | ft-lbs (Min) | ft-lbs (Max) | |
| IMPERIAL | | | | | | | | | |
| | | | in. | | | lbs. | ft-lbs (Min) | ft-lbs (Max) | |
| JGUN-D6.5 | 8.64 | 3.37 | 14.56 | 3.99 | 1-1/2 | 21.95 | 2,300 | 6,500 | 2.4 |
| METRIC | | | | | | | | | |
| | | | mm | | in. | kg | Nm (Min) | Nm (Max) | RPM |
| JGUN-D6.5 | 219 | 86 | 370 | 101 | 38 | 9.95 | 3118 | 8813 | 2.4 |

The World's Most Trusted Industrial Bolting Systems

HYTORC owns all content, copyrights, trademarks and patents in this document. © 2021 HYTORC. Any unauthorized use or distribution of any material from this document is strictly prohibited.

HYTORC
-----TEXAS-----

Headquarters:
12420 TEXACO RD.
HOUSTON, TX 77013
Phone:
713-453-6677

Email:
sales@hytorctexas.com
Online:
www.hytorctexas.com